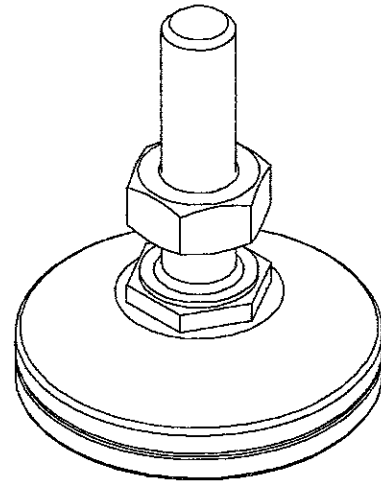
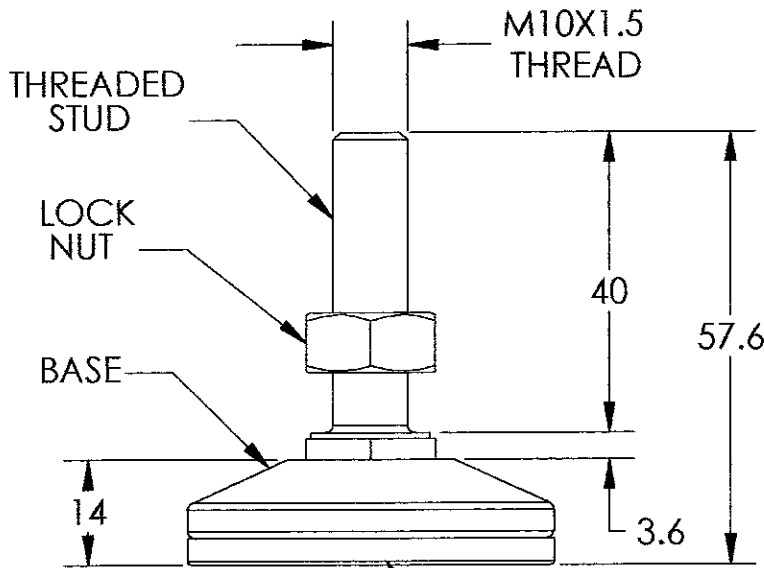
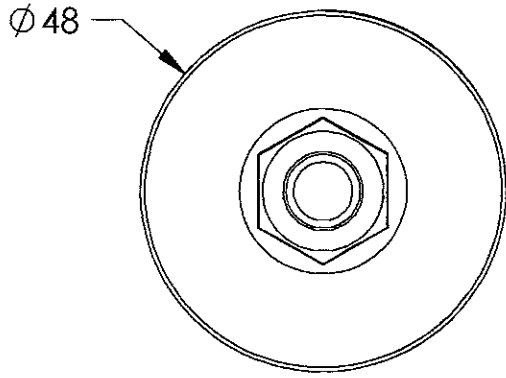


THE INFORMATION CONTAINED IN THIS DRAWING IS THE SOLE PROPERTY OF SUSPA INCORPORATED. ANY REPRODUCTION IN PART OR AS A WHOLE WITHOUT THE WRITTEN PERMISSION OF SUSPA INCORPORATED IS PROHIBITED.



ISOMETRIC VIEW

NOTES:

- 1.) ALL DIMENSIONS ARE REFERENCE ONLY.
- 2.) REFERENCE P/N: D44-01031.
- 3.) MATERIAL SPECIFICATIONS:

THREADED STUD AND LOCK NUT:
STEEL WITH ZINC PLATED FINISH.

BASE: MATTE BLACK NYLON.

NON SKID PAD: BLACK TPE.

**DO NOT MANUFACTURE TO THIS DRAWING
UNLESS IT IS MARKED "CONTROLLED"**

DO NOT SCALE THIS DRAWING
DIMENSIONS ARE IN MILLIMETERS

TOLERANCES UNLESS OTHERWISE SPECIFIED
ONE PLACE DECIMAL +/-0.2 ANGULAR
TWO PLACE DECIMAL +/-0.1 +/-2°

			JED	11/24/04

REV	ECN	REVISIONS	CHANGED BY	APPROVED BY	DATE (MM/DD/YY)
-----	-----	-----------	------------	-------------	-----------------

DESCRIPTION: STANDARD GLIDE WITH PAD

MATERIAL: N/A

DRAWING NUMBER: S44-0001

	3970 Roger B. Chaffee S.E. Grand Rapids, Michigan 49548-3497 www.suspa-inc.com	DRAWING SIZE
		A

DRAWN BY JED	DATE 11/24/04	SCALE 1:1	
CUSTOMER DRAWING			